

## 单相滤波器1-phase Filter

### ■ 产品概述(Product Introduction)

1. 具有高衰减性能的通用滤波器
2. 具有良好的共模差模滤波性能
3. 广泛应用于开关电源、UPS、变频、逆变等场合
4. 超过50A一定要确保接地良好，否则有电击危险
5. 医用型的滤波器后缀为A

1. Universal EMI filter with high attenuation performance
2. Has good CM and DM filtering performance
3. Widely used in switch power supply, UPS, converter, inverter, etc.
4. When exceeding 50A, be sure to ensure good grounding, otherwise there is a risk of electric shock
5. The identification code of medical type filter is marked with suffix A

### ■ 技术规格 (Technical Specification)

1. 额定电压: 250 VAC
2. 额定频率: 50/60Hz
3. 额定电流: 3 ~ 200A
4. 高压试验: P/N-E 2000VAC/2sec P-N 1100VDC/2sec
5. 温度范围: -25 ~ +85°C
6. 设计依据: IEC/EN60939
7. 典型滤波频率: 150kHz ~ 30MHz

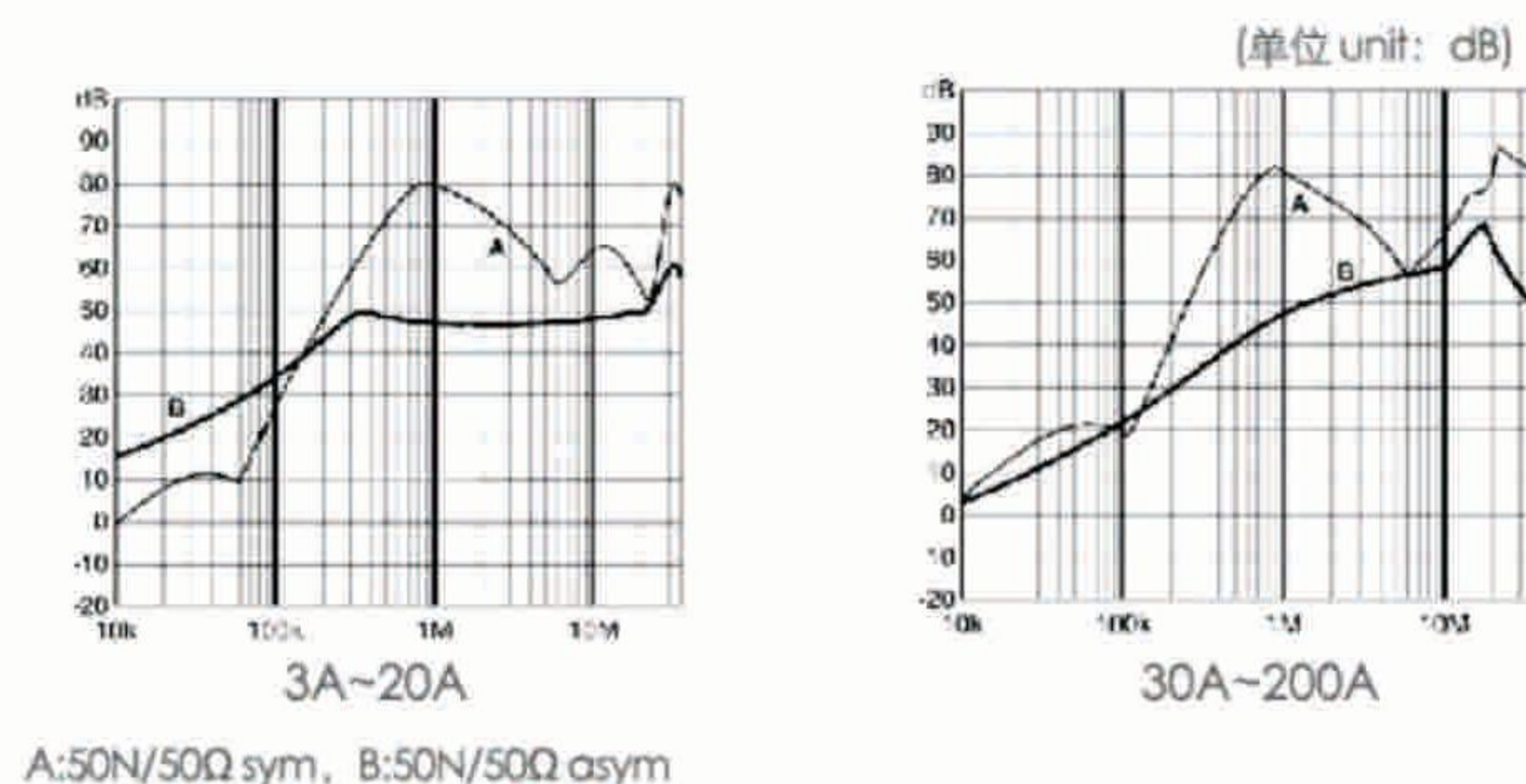
1. Rated Voltage: 250 VAC
2. Rated Frequency: 50/60Hz
3. Rated Current: 3 ~ 200A
4. High Voltage Test : P/N-E 2000VAC/2sec P-N 1100VDC/2sec
5. Temperature Range: -25 ~ +85°C
6. Design Standard: IEC/EN 60939
7. Typical Frequency Filtering: 50kHz~30MHz

### ■ 产品应用 (Product Application)

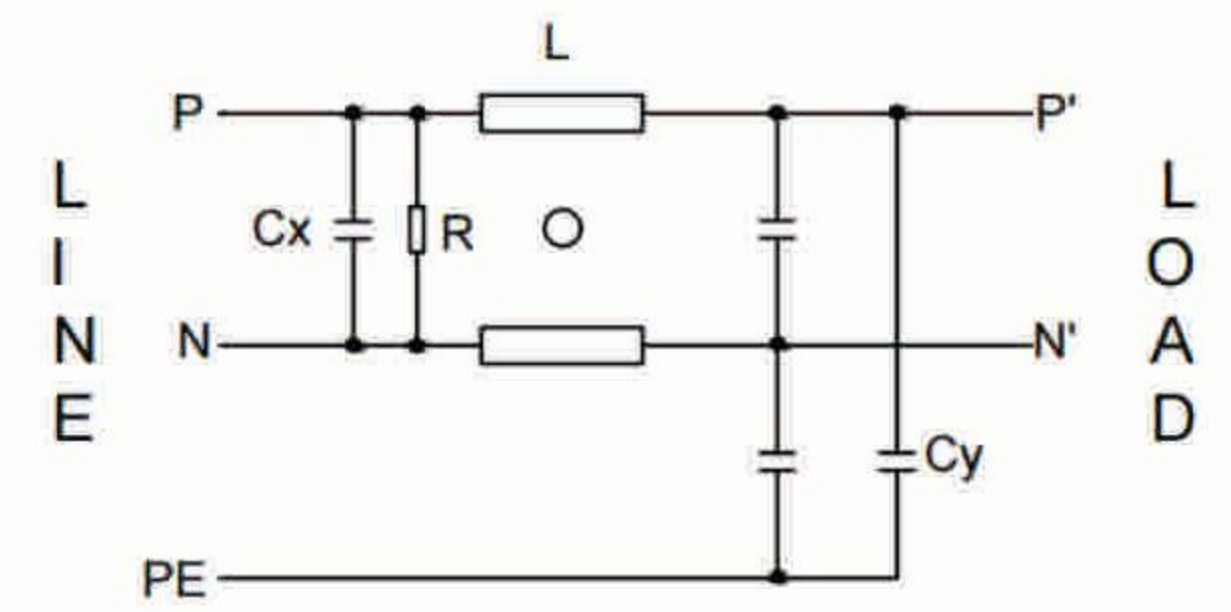
1. 电气和电子设备
2. 消费品
3. 家庭设备
4. 电子数据处理设备
5. 办公自动化和数据通信设备
6. 恶劣电磁环境所需的高性能滤波器

1. Electrical and electronic equipment
2. Consumer goods
3. Household equipment
4. Electronic data processing equipment
5. Office automation and data communication equipment
6. Filters for harsh electromagnetic environments that require high-performance filtering



### ■ 输入滤波器插入损耗 ((Insertion Loss of Input Filter)



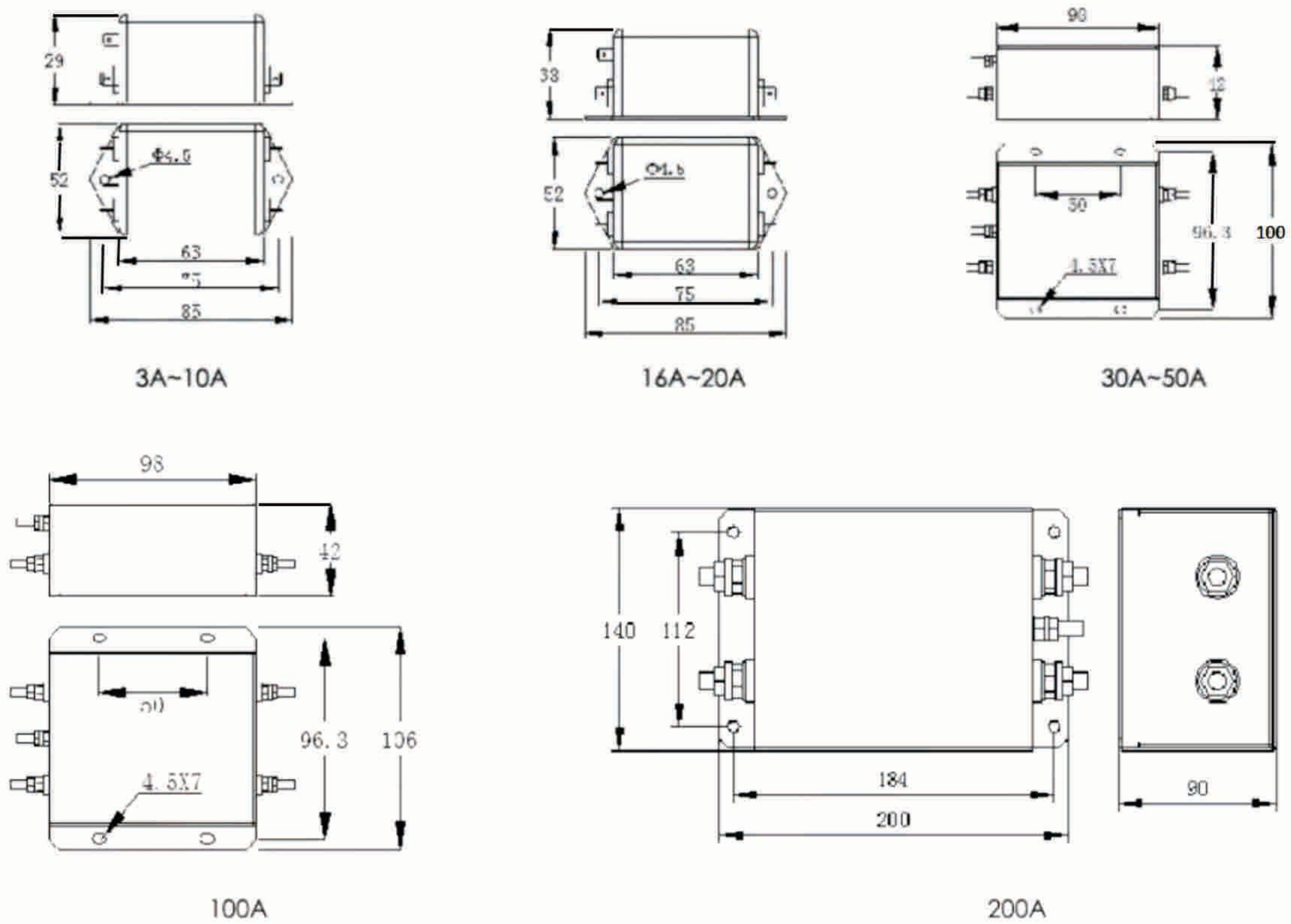
典型电路图  
Typical Circuit Diagram



■ 滤波器选型表(Filter Selection Table)

型号 Type		额定电流 Rated Current @40°C(A)	漏电流 Leakage Current @230VAC/50Hz (mA)		能量损耗Power Loss @25°C/50Hz (W)	端子类型 Terminal Block Type
通用型 Universal Type	医用型 Medical Type		通用型 Universal Type	医用型 Medical Type		
RFD2B3N01	RFD2B3N01A	3	0.87	0.074	23	
RFD2B6N01	RFD2B6N01A	6	0.87	0.074	32	
RFD2B10N01	RFD2B10N01A	10	0.87	0.074	3.8	
RFD2B16N01	RFD2B16N01A	16	0.87	0.074	4.7	
RFD2B20N01	RFD2B20N01A	20	0.87	0.074	5.6	
RFD2B30N05	RFD2B30N05A	30	0.87	0.074	8.5	
RFD2B50N05	RFD2B50N05A	50	1.75	0.074	13.3	
RFD2B100N05	RFD2B100N05A	100	1.75	0.074	30.2	
RFD2B200N05	RFD2B200N05A	200	3.5	0.074	46.9	

■ 产品尺寸图 (Product Size)



单位unit: mm