

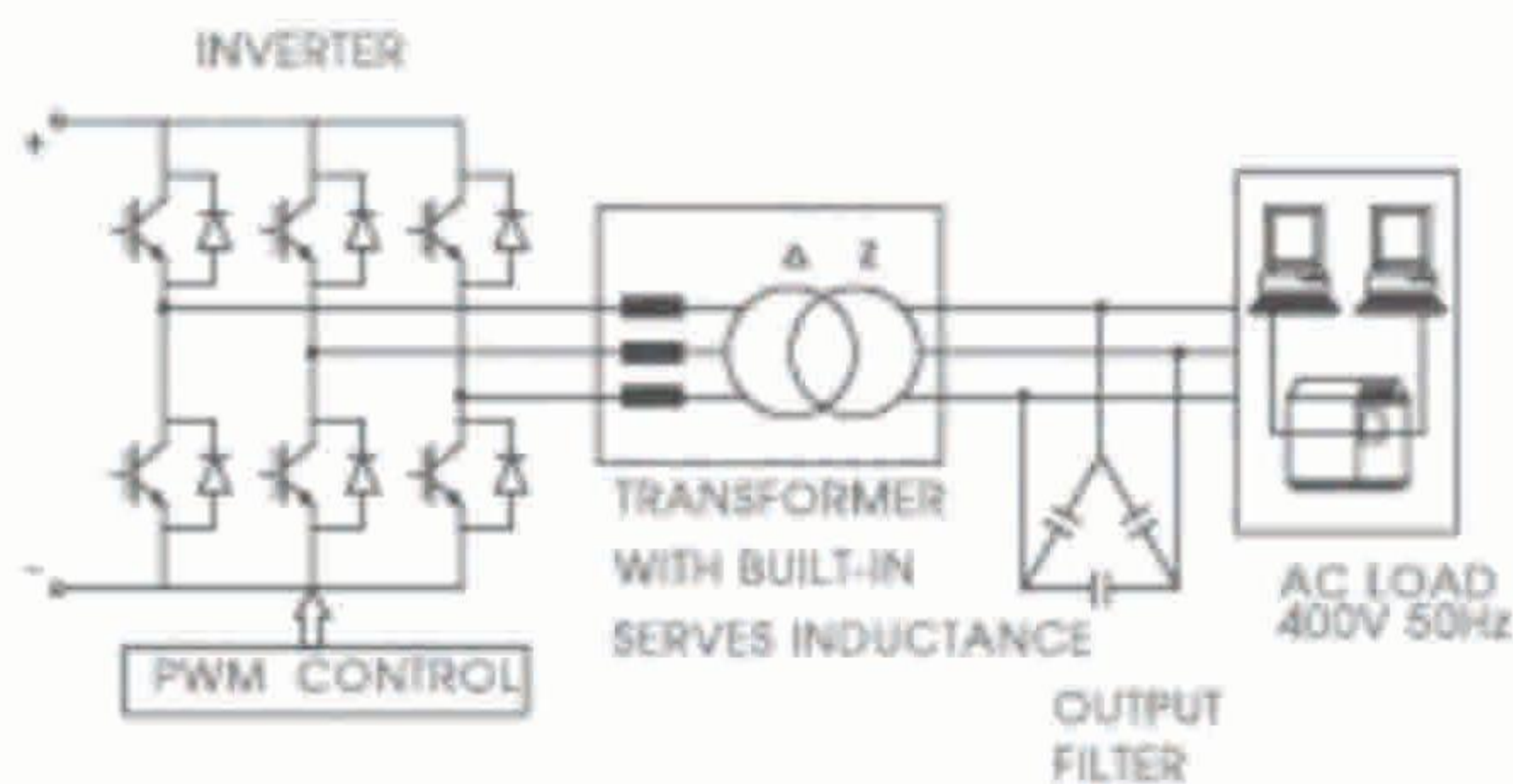
逆变输出变压器(NKSC) Inverter Output Transformer

■ 产品概述(Product Introduction)

逆变输出变压器将输出电压转换成所需要的负载电压，其中的电感串接于逆变器输出端，起到滤波的作用。
The inverter output transformer converts the output voltage into the voltage required by the load. The inductor is connected in series with the output of the inverter, and makes filtering.



典型电路图
Typical Circuit Diagram



■ 成品识别码 (Product Identification Code)

NKSC	10k	660	380
NK: 逆变变压器 Rectifier Transformer D: Single Phase S: Three Phase C: Copper A: Aluminum	容量 Capacity	初级电压 Input Voltage	次级电压 Output Voltage