

交流输出电抗器(OCR) AC Output Reactor

■ 产品概述(Product Introduction)

安装在变频器输出端，用于限制变频器与电机连接电缆的容性充电电流，钝化变频器输出的PWM波的电压上升率。电机电缆长度超过一定值时，建议在变频器与电机之间插入一个电机电抗器。用于补偿在长导线时的电容再充电电流。此最大长度决定于变频器的额定值以及电机电缆的类型。

The output reactor is mounted at the output of the converter. It is used for limiting the capacitive charging current of the connection cable between the converter and the motor, and passivating the voltage rise rate of PWM from the converter. When the cable is longer than a certain value, it is recommended to mount a motor reactor between the converter and the motor to compensate the capacitive recharging current. The maximum length of the cable is determined by the rated values of the frequency and the type of the motor cable.

■ 产品应用(Product Application)

- 1.抑制过电压
- 2.抑制谐波
- 3.减小接对地泄漏电流

- 1.Limit the over-voltage
- 2.Suppress harmonics
- 3.Reduce leakage current to ground

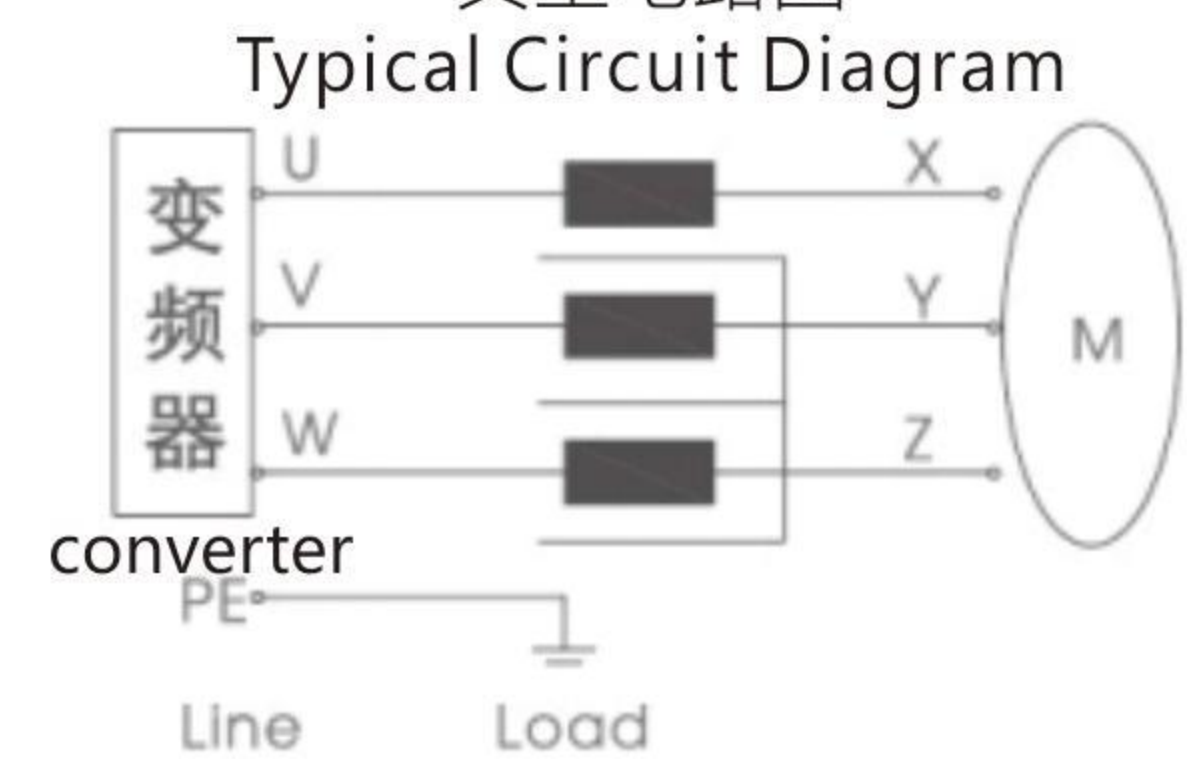
■ 技术规格(Technical Specification)

- 1.额定电压: 220 ~ 3300VAC
- 2.额定频率: 50/60Hz
- 3.额定电流: 3 ~ 1600A
- 4.载波频率: 2 ~ 8kHz
- 5.绝缘等级: F、H
- 6.使用环境: -10 ~ +45°C, 额定值不会降低。最高可达+55°C, 在45°C以上, 每升高1°C, 额定电流降低2%
- 7.防护等级: IP00-IP22
- 8.压降: <4% 大于此范围会引起转矩损失
- 9.过载能力: 1.5 × 额定电流, 持续60s
- 10.噪音: ≤65dB
- 11.温升: ≤85K
- 12.抗电强度: 铁芯-绕组 绕组-绕组 3000VAC/50Hz/60s无飞弧击穿
- 13.绝缘电阻: 1000VDC, ≥100Ω
- 14.海拔高度不超过2000米
- 15.运行环境温度-25 ~ +45°C, 相对湿度不超过90%
- 16.周围无有害气体, 无易燃易爆物品
- 17.周围环境应有良好的通风条件, 如装在柜内, 应加装通风设备

- 1.Rated Voltage: 220 ~3300VAC
- 2.Rated Frequency: 50/60Hz
- 3.Rated Current: 3 ~ 1600A
- 4.Carrier Frequency :2 ~ 8kHz
- 5.Insulation Class: F, H
- 6.Operation Environment: -10 ~ +45°C, the rated value doesn't decrease. The tolerance temperature is up to +55°C. Above +45°C, the rated current decreases by 2% for every 1°C increase
- 7.Protection Class: IP00-IP22
- 8.Voltage Drop: <4%, torque loss will generate if the voltage drop is greater than 4%
- 9.Overload Capacity: 1.5 x rated current, 60s.
- 10.Noise: ≤65dB
- 11.Temperature Rise: ≤85K
- 12.Dielectric Strength: core-winding, winding-winding 3000VAC/50Hz/60s, no electric arc or electric breakdown
- 13.Insulation Resistance: 1000VDC, ≥100MΩ
- 14.Work under 2000m
- 15.Ambient Temperature -25 ~ +45°C, and the relative humidity is not over 90%
- 16.No hazardous gas, flammable and explosive
- 17.With well-ventilated condition. Ventilation devices shall be mounted if reactors are installed in cabinets



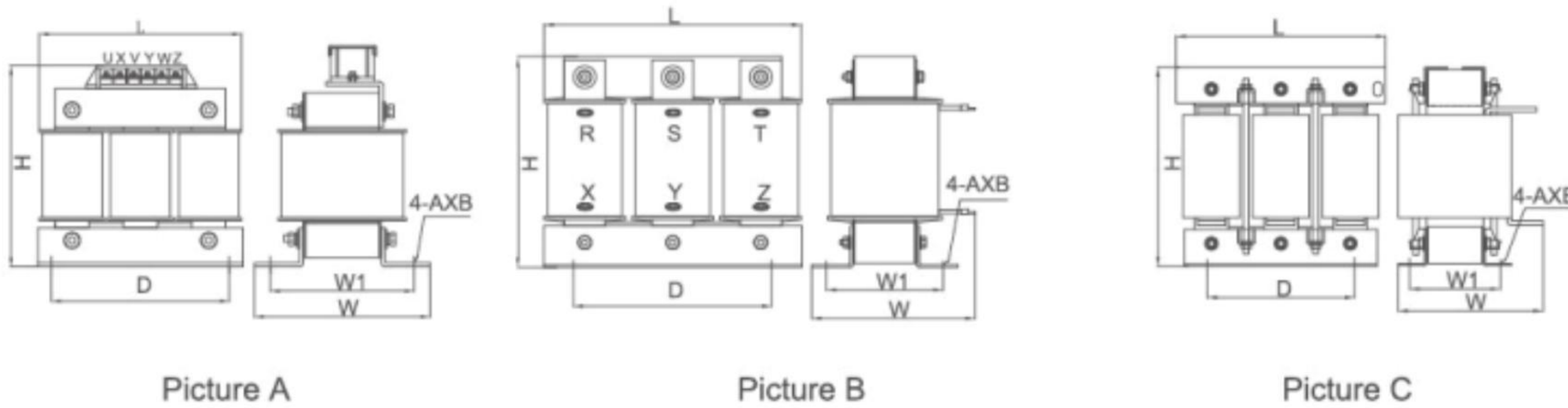
典型电路图



■ 执行标准(Applicable Standard)

IEC 60076-6 Reactors
GB/T1094.6 Reactors
JB9644 Reactors or semiconductor electric drive

■ 产品尺寸图(Product Size)



380V 输出电抗器 380V AC Output Reactor												
型号 Type	图号 Picture No.	适配功率 Power (kW)	额定电流 Rated Current(A)	电感量 Inductance (mH)	压降 Voltage Drop	绝缘等级 Insulation Class	尺寸 Dimension(±5mm)					
							L	D	W	W1	H	A*B
OCR-0005-1M40-0.4SC	A	1.5	5	1.4	1%	F, H	110	90	95	70	130	6*11
OCR-0007-1M00-0.4SC		2.2	7	1	1%	F, H	110	90	95	70	130	6*11
OCR-0010-0M70-0.4SC		3.7	10	0.7	1%	F, H	110	90	95	70	130	6*11
OCR-0015-0M47-0.4SC		5.5	15	0.47	1%	F, H	110	90	95	70	130	6*11
OCR-0020-0M35-0.4SC		7.5	20	0.35	1%	F, H	110	90	95	70	130	6*11
OCR-0030-0M23-0.4SC	B	11	30	0.23	1%	F, H	155	95	90	76	150	6*15
OCR-0040-0M18-0.4SC		15	40	0.18	1%	F, H	155	95	130	78	135	6*15
OCR-0050-0M14-0.4SC		18.5	50	0.14	1%	F, H	155	95	140	76	135	6*15
OCR-0060-0M12-0.4SC		22	60	0.12	1%	F, H	195	120	135	72	165	8.5*20
OCR-0080-087U-0.4SC		30	80	0.087	1%	F, H	195	120	135	72	165	8.5*20
OCR-0090-078U-0.4SC	C	37	90	0.078	1%	F, H	195	120	135	72	165	8.5*20
OCR-0120-058U-0.4SA		45	120	0.058	1%	F, H	230	150	170	83	220	11*18
OCR-0150-047U-0.4SA		55	150	0.047	1%	F, H	230	150	170	88	220	11*18
OCR-0200-035U-0.4SA		75	200	0.035	1%	F, H	230	150	180	98	220	11*18
OCR-0250-028U-0.4SA		110	250	0.028	1%	F, H	250	182	175	98	230	11*18
OCR-0290-024U-0.4SA		132	290	0.024	1%	F, H	290	214	200	107	250	11*18
OCR-0330-021U-0.4SA		160	330	0.021	1%	F, H	290	214	200	107	250	11*18
OCR-0390-018U-0.4SA		185	390	0.018	1%	F, H	290	214	200	107	250	11*18
OCR-0490-014U-0.4SA		220	490	0.014	1%	F, H	320	243	230	125	320	12*20
OCR-0600-012U-0.4SA		280	600	0.012	1%	F, H	320	243	250	140	320	12*20
OCR-0660-011U-0.4SA		300	660	0.011	1%	F, H	320	243	250	140	320	12*20
OCR-0800-08U7-0.4SA		380	800	0.0087	1%	F, H	365	260	280	135	380	15*25
OCR-1000-07U0-0.4SA		450	1000	0.007	1%	F, H	365	260	280	135	380	15*25
OCR-1200-05U8-0.4SA	550	1200	0.0058	1%	F, H	395	275	325	150	390	15*25	
OCR-1600-04U3-0.4SA	630	1600	0.0043	1%	F, H	395	275	325	150	435	15*25	

备注：其他规格尺寸，可根据用户要求制造。Remark: Customized if necessary.

690V 输出电抗器 690V AC Output Reactor

型号 Type	图号 Picture No.	适配功率 Power (kW)	额定电流 Rated Current(A)	电感量 Inductance (mH)	压降 Voltage Drop	绝缘等级 Insulation Class	尺寸 Dimension(± 5mm)					
							L	D	W	W1	H	A*B
OCR-0005-2M80-0.7SC	A	3.7	5	2.8	1%	F, H	155	95	130	61	150	6*15
OCR-0007-2M00-0.7SC		5.5	7	2	1%	F, H	155	95	130	61	150	6*15
OCR-0010-1M40-0.7SC		7.5	10	1.4	1%	F, H	155	80	200	95	63	6*15
OCR-0015-0M93-0.7SC		11	15	0.93	1%	F, H	155	80	200	95	63	6*15
OCR-0020-0M70-0.7SC	B	15/18.5	20	0.7	1%	F, H	155	80	200	95	63	6*15
OCR-0030-0M47-0.7SC		22	30	0.47	1%	F, H	195	130	165	120	72	8.5*20
OCR-0040-0M35-0.7SC		30	40	0.35	1%	F, H	195	130	165	120	72	8.5*20
OCR-0050-0M28-0.7SC		37/45	50	0.28	1%	F, H	195	150	165	120	92	8.5*20
OCR-0060-0M23-0.7SC		55	60	0.23	1%	F, H	195	150	165	120	92	8.5*20
OCR-0080-0M18-0.7SA	C	75	80	0.18	1%	F, H	195	170	165	120	112	8.5*20
OCR-0120-0M12-0.7SA		110	120	0.12	1%	F, H	250	190	230	182	103	11*18
OCR-0150-094U-0.7SA		132	150	0.094	1%	F, H	250	200	230	182	113	11*18
OCR-0200-070U-0.7SA		160/185	200	0.07	1%	F, H	290	220	250	214	117	11*18
OCR-0250-055U-0.7SA		220	250	0.055	1%	F, H	290	220	250	214	117	11*18
OCR-0290-048U-0.7SA		240	290	0.048	1%	F, H	320	250	320	243	135	12*20
OCR-0330-042U-0.7SA		280/300	330	0.042	1%	F, H	320	250	320	243	135	12*20
OCR-0390-036U-0.7SA		380	390	0.036	1%	F, H	320	250	320	243	135	12*20
OCR-0490-028U-0.7SA		450	490	0.028	1%	F, H	320	270	320	243	160	12*20
OCR-0600-023U-0.7SA		550	600	0.023	1%	F, H	365	285	340	260	165	15*25
OCR-0660-021U-0.7SA		630	660	0.021	1%	F, H	365	285	340	260	165	15*25

备注：其他规格尺寸，可根据用户要求制造。Remark: Customized if necessary.

成品识别码(Product Identification Code)


对应CE认证的型号Corresponding CE code:

