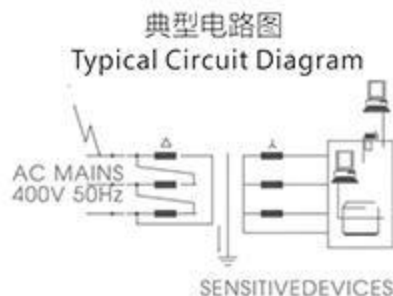


单/三相隔离变压器(BKSC) Single/Three-phase Isolation Transformer

■ 产品概述(Product Introduction)

隔离变压器的目的是提供初次级间的电隔离。通过初次级间的静电屏蔽，隔离来自初级侧的干扰。

An isolation transformer provides electrical isolation between primary and secondary sides. Interference from the primary side is isolated through electrostatic shielding between the primary and secondary sides.



■ 产品特点 (Product Feature)

该系列隔离变压器广泛用于地铁、高层建筑、机车、电梯，车站、印刷、机床、码头、工矿企业及隧道的输配电及进口设备等场所。我司多年来采用优质材料和先进的工艺技术专业生产160VA-800kVA单/三相干式隔离变压器。产品参照国外同类产品，广泛适用于交流50/60Hz，输入、输出电压不超过1000V的各种供电场合。产品可根据用户的要求进行定制。

This series of isolation transformer is widely used in power transmission and distribution in subways, high-rise buildings, locomotives, elevators, stations, printing, machine tools, docks, industrial and mining enterprises, tunnels, and the use of imported equipment. Our company has been specializing in the production of 160VA-800kVA single/three-phase dry isolation transformers using high-quality materials and advanced technology for many years. The product refers to similar foreign products and is widely used in various power supply occasions with AC 50/60Hz and input and output voltages not exceeding 1000V. Products can be customized according to user requirements.

功率范围Power Range:	160-800KVA
输入电压Input Voltage	Rated Voltage $\leq 1000V \pm 10\% \Delta / Y$
输出电压 Output Voltage	Rated Voltage $\leq 1000V + 5\%(\text{No Load}) \Delta / Y$
效率 Efficiency	$\geq 95\%$
波形失真 Waveform Distortion	No waveform distortion
功能 Function	With input voltage, output voltage, current indication
保护 Protect	Over current protection
绝缘电阻 Insulation Resistance	1000VDC insulation resistance value $\geq 100M\Omega$
电气强度 Dielectric Strength	Core coil 3000VAC/50Hz/5mA/10s no electric arc or electric breakdown
过载能力Overload Capacity	2 x rated current, 60s

海拔高度不超过2000米

运行环境温度-25℃~+45℃,相对湿度不超过90%。周围无有害气体，无易燃易爆物品

周围环境应有良好的通风条件，如装在柜内，应加装通风设备

Work under 2000m

Ambient temperature -25 ~ +45°C, comparative moisture not over 90%

No hazardous gas, flammable and explosive

With well-ventilated condition. Ventilation devices shall be mounted if transformers are installed in cabinets

■ 执行标准(Applicable Standard)

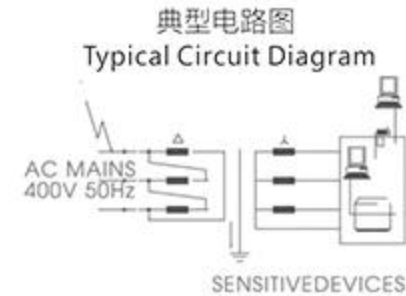
VDE0550、IEC439、JB5555、GB5226

单/三相隔离变压器(BKSC) Single/Three-phase Isolation Transformer

■ 产品概述(Product Introduction)

隔离变压器的目的是提供初次级间的电隔离。通过初次级间的静电屏蔽，隔离来自初级侧的干扰。

An isolation transformer provides electrical isolation between primary and secondary sides. Interference from the primary side is isolated through electrostatic shielding between the primary and secondary sides.



■ 产品特点 (Product Feature)

该系列隔离变压器广泛用于地铁、高层建筑、机车、电梯、车站、印刷、机床、码头、工矿企业及隧道的输配电及进口设备等场所。我司多年来采用优质材料和先进的工艺技术专业生产160VA-800kVA单/三相干式隔离变压器。产品参照国外同类产品，广泛适用于交流50/60Hz，输入、输出电压不超过1000V的各种供电场合。产品可根据用户的要求进行定制。

This series of isolation transformer is widely used in power transmission and distribution in subways, high-rise buildings, locomotives, elevators, stations, printing, machine tools, docks, industrial and mining enterprises, tunnels, and the use of imported equipment. Our company has been specializing in the production of 160VA-800kVA single/three-phase dry isolation transformers using high-quality materials and advanced technology for many years. The product refers to similar foreign products and is widely used in various power supply occasions with AC 50/60Hz and input and output voltages not exceeding 1000V. Products can be customized according to user requirements.

功率范围Power Range:	160-800KVA
输入电压Input Voltage	Rated Voltage $\leq 1000V \pm 10\% \Delta / Y$
输出电压 Output Voltage	Rated Voltage $\leq 1000V + 5\%(\text{No Load}) \Delta / Y$
效率 Efficiency	$\geq 95\%$
波形失真 Waveform Distortion	No waveform distortion
功能 Function	With input voltage, output voltage, current indication
保护 Protect	Over current protection
绝缘电阻 Insulation Resistance	1000VDC insulation resistance value $\geq 100M\Omega$
电气强度 Dielectric Strength	Core coil 3000VAC/50Hz/5mA/10s no electric arc or electric breakdown
过载能力Overload Capacity	2 x rated current, 60s

海拔高度不超过2000米

运行环境温度 $-25^{\circ}\text{C} \sim +45^{\circ}\text{C}$,相对湿度不超过90%。周围无有害气体，无易燃易爆物品

周围环境应有良好的通风条件，如装在柜内，应加装通风设备

Work under 2000m

Ambient temperature $-25 \sim +45^{\circ}\text{C}$, comparative moisture not over 90%

No hazardous gas, flammable and explosive

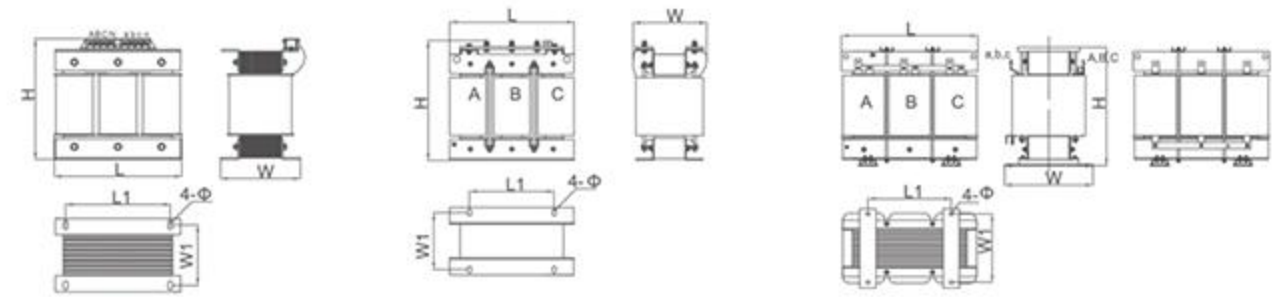
With well-ventilated condition. Ventilation devices shall be mounted if transformers are installed in cabinets

■ 执行标准(Applicable Standard)

VDE0550、IEC439、JB5555、GB5226

■ 产品尺寸图(Product Size)

三相隔离变压器 (Three-phase Isolation transformer)



Picture A

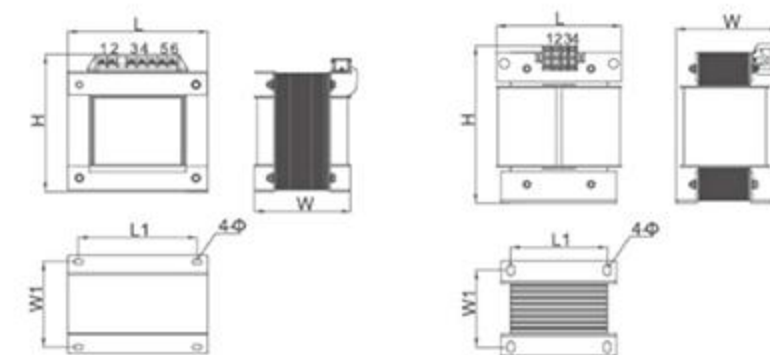
Picture B

Picture C

型号 Type	容量 Capacity (kVA)	图号 Picture No.	绝缘等级 Insulation Class	外形尺寸 Dimension	
				L*W*H (mm)	安装孔 Mounting Hole 4-Φ (mm)
BKSC-0.5K	0.5	A	F, H	185*135*205	8
BKSC-0.8K	0.8		F, H	185*135*205	8
BKSC-1.0K	1		F, H	185*155*205	8
BKSC-1.5K	1.5		F, H	250*155*260	9
BKSC-2.0K	2		F, H	250*155*260	9
BKSC-3.0K	3		F, H	250*165*260	9
BKSC-4.0K	4		F, H	300*190*305	11
BKSC-5.0K	5		F, H	300*190*305	11
BKSC-6.0K	6		F, H	300*190*305	11
BKSC-8.0K	8		F, H	360*220*360	15
BKSA-10K	10	B	F, H	440*250*390	15
BKSA-12K	12		F, H	440*265*390	15
BKSA-15K	15		F, H	470*285*460	15
BKSA-20K	20		F, H	485*320*485	15
BKSA-25K	25		F, H	485*330*485	15
BKSA-30K	30	C	F, H	485*340*485	15
BKSA-40K	40		F, H	540*400*570	15
BKSA-50K	50		F, H	540*400*570	15
BKSA-80K	80		F, H	660*450*640	15

备注：其他规格尺寸，可根据用户要求制造。Remark: Customized if necessary.

单相隔离变压器 (Single-phase Isolation transformer)



Picture A

Picture B

型号 Type	容量 Capacity (kVA)	图号 Picture No.	绝缘等级 Insulation Class	外形尺寸 Dimension L*W*H (mm)	安装孔 MountingHole 4-Φ (mm)	安装孔 MountingHole 4-Φ (mm)
BKDC-0.1K-380-12	0.1	A	F, H	96*88*100	82*60	6*10
BKDC-0.15K-380-12	0.15		F, H	96*88*100	82*60	6*10
BKDC-0.2K-380-24	0.2		F, H	105*110*108	82*86	6*10
BKDC-0.3K-380-24	0.3		F, H	114*115*130	76*80	8*14
BKDC-0.5K-380-24	0.5		F, H	1332*120*150	111*85	8*14
BKDC-0.8K-380-24	0.8		F, H	150*135*170	125*100	8*12
BKDC-1.0K-380-24	1		F, H	150*145*170	125*110	8*12
BKDC-1.5K-380-24	1.5		F, H	200*170*285	150*110	11*18
BKDC-2.0K-380-24	2		B	F, H	200*170*285	150*110
BKDC-3.0K-380-24	3	F, H		200*170*285	150*110	11*18
BKDC-5.0K-380-24	5	F, H		240*190*360	180*120	11*18
BKDC-8.0K-380-24	8	F, H		280*230*410	200*150	11*18
BKDC-10K-380-24	10	F, H		280*230*410	200*150	11*18

备注：其他规格尺寸，可根据用户要求制造。 Remark: Dimension can be customization.

■ 成品识别码(Product Identification Code)

BKSA	10K	660	380
BK: 隔离变压器 Isolation transformer D: Single Phase S: Three Phase C: Copper A: Aluminum	容量 Capacity	初级电压 Input Voltage	次级电压 Output Voltage

对应CE认证的型号Corresponding CE code:

SG	100KVA
三相干式变压器 Three-phase Dry-type Transformer	100KVA: 容量Capacity 5~800KVA