

交流输入电抗器(ACR) AC Input Reactor

■ 产品概述(Product Introduction)

输入电抗器可被用于线路电源过载保护，并能减小变频器产生的电流谐波失真。提高电路的功率因数，减少高次谐波，抑制浪涌电流。

Input reactors offer the overload protection to line power supplies, reduce the harmonic distortion arising from converters, improve the power factors, and reduce the high harmonics and suppress the surge.

■ 产品应用(Product Application)

特别在下列环境下推荐使用输入电抗器：

- 1.几个变频器并联紧密连接
- 2.线路中有来自其他设备的电磁干扰
- 3.各相之间存在电压不平衡，超过额定电压的1.8%
- 4.在同一线路上安装有大量的变频器
- 5.减小 $\cos \varphi$ 校正电容器上的过载，如果装置中含有一个功率因数校正设备

Particularly apply to the following cases:

1. Several converters are in closely parallel
2. There is electromagnetic interference from other equipment in the line
3. Non-balance among the phase, and 1.8% over than the rated voltage
4. Massive converters are installed on the same line
5. Reduce the overload on the $\cos \varphi$ correction capacitors in case the power factor correction devices are installed in system

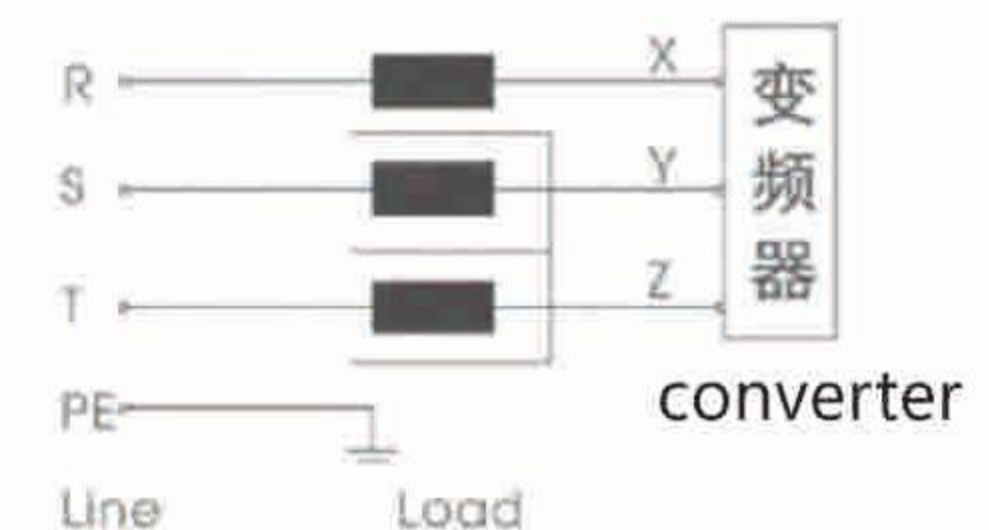
■ 技术规格(Technical Specification)

1. 额定电压：220 ~ 3300VAC
2. 额定频率：50/60Hz
3. 额定电流：3 ~ 1600A
4. 绝缘等级：F、H
5. 防护等级：IP00-IP22
6. 压降：< 4%，大于此范围会引起电机转矩损失，降低电机输出功率
7. 过载能力：1.5x额定电流，持续60s
8. 噪音：≤65dB
9. 温升：≤85K
10. 抗电强度：铁芯-绕组 绕组-绕组 3000VAC/50Hz/60s无飞弧击穿
11. 绝缘电阻：1000VDC，≥100MΩ
12. 使用环境：-10 ~ +45℃，额定值不会降低，最高可达+55℃。在45℃以上，每升高1℃，额定电流降低2%，海拔高度不超过2000米
13. 运行环境温度-25 ~ +45℃，相对湿度不超过90%
14. 周围无有害气体，无易燃易爆物品
15. 周围环境应有良好的通风条件，如装在柜内，应加装通风设备

1. Rated Voltage: 220 ~ 3300VAC
2. Rated Frequency: 50/60Hz
3. Rated Current: 220 ~ 3300VAC
4. Insulation Class: F, H
5. Protection Class: IP00-IP22
6. Voltage Drop: < 4%, greater than this range will cause motor torque loss and reduce motor output power
7. Overload Capacity: 1.5 x rated current, 60s
8. Noise: ≤65dB
9. Temperature Rise: ≤85K
10. Dielectric Strength: core-winding, winding-winding 3000VAC/50Hz/60s, no electric arc or electric breakdown
11. Insulation Resistance: 1000VDC, ≥100MΩ
12. Operation Environment: -10 ~ +45℃, the rated value doesn't decrease. The tolerance temperature is up to +55℃. Above +45℃, the rated current decreases by 2% for every 1℃ increase. Work under 2000m
13. Ambient Temperature -25 ~ +45℃, and the relative humidity is not over 90%
14. No hazardous gas, flammable and explosive
15. With well-ventilated condition. Ventilation devices shall be mounted if reactors are installed in cabinets



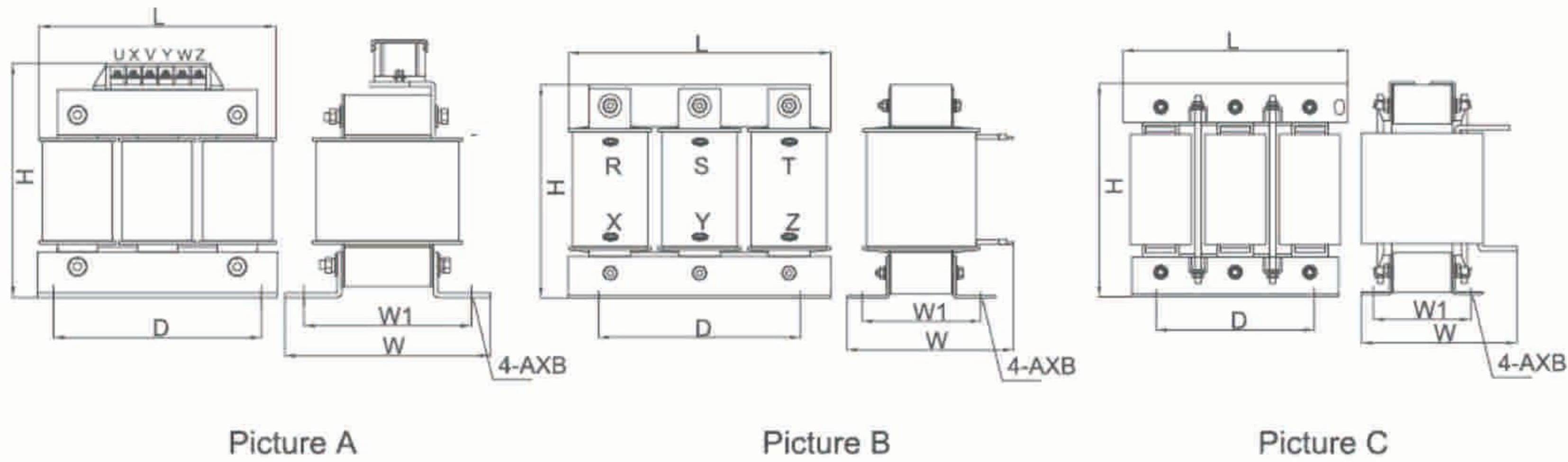
典型电路图
Typical Circuit Diagram



■ 执行标准(Applicable Standard)

IEC 60076-6 Reactors
 GB/T1094.6 Reactors
 Jb9644 Reactors or semiconductor electric drive

■ 产品尺寸图(Product Size)



380V 输入电抗器 380V AC Input Reactor												
型号 Type	图号 Picture No.	适配功率 Power (kW)	额定电流 Rated Current(A)	电感量 Inductance (mH)	压降 Voltage Drop	绝缘等级 Insulation Class	尺寸 Dimension(±5mm)					
							L	D	W	W1	H	A*B
ACR-0005-2M80-0.4SC	A	1.5	5	2.8	2%	F, H	115	90	95	68	135	6*11
ACR-0007-2M00-0.4SC		2.2	7	2	2%	F, H	115	90	95	68	135	6*11
ACR-0010-1M40-0.4SC		3.7	10	1.4	2%	F, H	115	90	95	68	135	6*11
ACR-0015-0M94-0.4SC		5.5	15	0.94	2%	F, H	115	90	95	68	135	6*11
ACR-0020-0M70-0.4SC		7.5	20	0.7	2%	F, H	155	95	80	61	170	6*15
ACR-0030-0M47-0.4SC	B	11	30	0.47	2%	F, H	155	95	130	63	135	6*15
ACR-0040-0M36-0.4SC		15	40	0.36	2%	F, H	155	95	140	76	135	6*15
ACR-0050-0M28-0.4SC		18.5	50	0.28	2%	F, H	155	95	140	76	135	6*15
ACR-0060-0M24-0.4SC		22	60	0.24	2%	F, H	195	120	150	72	165	8.5*20
ACR-0080-0M18-0.4SC		30	80	0.18	2%	F, H	195	120	150	92	165	8.5*20
ACR-0090-0M16-0.4SC	C	37	90	0.156	2%	F, H	195	120	150	92	165	8.5*20
ACR-0120-0M12-0.4SA		45	120	0.117	2%	F, H	230	150	170	83	220	11*18
ACR-0150-094U-0.4SA		55	150	0.094	2%	F, H	230	150	170	88	220	11*18
ACR-0200-070U-0.4SA		75	200	0.07	2%	F, H	250	182	175	98	230	11*18
ACR-0250-056U-0.4SA		110	250	0.056	2%	F, H	250	182	175	98	230	11*18
ACR-0290-048U-0.4SA		132	290	0.048	2%	F, H	290	214	200	102	250	11*18
ACR-0330-042U-0.4SA		160	330	0.042	2%	F, H	290	214	200	102	250	11*18
ACR-0390-036U-0.4SA		185	390	0.036	2%	F, H	290	214	205	107	250	11*18
ACR-0490-028U-0.4SA		220	490	0.028	2%	F, H	320	243	230	125	320	12*20
ACR-0600-024U-0.4SA		280	600	0.024	2%	F, H	320	243	250	140	320	12*20
ACR-0660-022U-0.4SA		300	660	0.022	2%	F, H	320	243	250	140	320	12*20
ACR-0800-17U5-0.4SA		380	800	0.0175	2%	F, H	365	260	280	135	390	15*25
ACR-1000-014U-0.4SA	450	1000	0.014	2%	F, H	365	260	280	135	390	15*25	
ACR-1200-11U7-0.4SA	550	1200	0.0117	2%	F, H	395	275	340	160	390	15*25	
ACR-1600-08U6-0.4SA	630	1600	0.0086	2%	F, H	395	275	340	160	435	15*25	

备注：其他规格尺寸，可根据用户要求制造 Remark: Customized if necessary.

690V 输入电抗器 690V AC input Reactor

型号 Type	图号 Picture No.	适配功率 Power (kW)	额定电流 Rated Current(A)	电感量 Inductance (mH)	压降 Voltage Drop	绝缘等级 Insulation Class	尺寸 Dimension(±5mm)					
							L	D	W	W1	H	A*B
ACR-0005-5M60-0.7SC	A	3.7	5	5.6	2%	F, H	155	95	80	61	180	6*15
ACR-0007-4M00-0.7SC		5.5	7	4	2%	F, H	155	95	80	61	180	6*15
ACR-0010-2M80-0.7SC		7.5	10	2.8	2%	F, H	155	95	80	63	200	6*15
ACR-0015-1M87-0.7SC		11	15	1.87	2%	F, H	155	95	80	63	200	6*15
ACR-0020-1M40-0.7SC	B	15/18.5	20	1.4	2%	F, H	195	95	130	76	135	6*15
ACR-0030-0M93-0.7SC		22	30	0.93	2%	F, H	195	120	130	72	165	8.5*20
ACR-0040-0M70-0.7SC		30	40	0.7	2%	F, H	195	120	130	72	165	8.5*20
ACR-0050-0M56-0.7S A		37/45	50	0.56	2%	F, H	195	120	150	92	165	8.5*20
ACR-0060-0M47-0.7S A		55	60	0.47	2%	F, H	195	120	150	92	165	8.5*20
ACR-0080-0M35-0.7SA	C	75	80	0.35	2%	F, H	195	120	170	112	165	8.5*20
ACR-0120-0M23-0.7SA		110	120	0.23	2%	F, H	250	182	190	113	230	11*18
ACR-0150-0M19-0.7SA		132	150	0.19	2%	F, H	290	214	210	107	250	11*18
ACR-0200-0M14-0.7SA		160/185	200	0.14	2%	F, H	290	214	220	117	250	11*18
ACR-0250-0M11-0.7SA		220	250	0.11	2%	F, H	320	243	240	130	280	12*20
ACR-0290-096U-0.7SA		240	290	0.096	2%	F, H	320	243	250	140	280	12*20
ACR-0330-085U-0.7SA		280/300	330	0.085	2%	F, H	320	243	250	150	280	12*20
ACR-0390-072U-0.7SA		380	390	0.072	2%	F, H	320	243	260	150	320	12*20
ACR-0490-057U-0.7SA		450	490	0.057	2%	F, H	365	260	285	155	340	15*25
ACR-0600-047U-0.7SA		550	600	0.047	2%	F, H	365	260	320	185	340	15*25
ACR-0660-042U-0.7SA		630	660	0.042	2%	F, H	365	260	320	185	340	15*25

备注：其他规格尺寸，可根据用户要求制造 Remark: Customized if necessary.

■ 成品识别码(Product Identification Code)

ACR	0060	0M24	0.4SC
输入电抗器 AC Input Reactor	额定电流 Rated Current	电感量 Inductance Value M: mH H: μH	0.4: Rated Voltage 0.2=220V,0.4=380V,0.7=690V,1.1 = 1140V D: Single Phase S: Three Phase C: Copper A: Aluminum

对应CE认证的型号Corresponding CE code:

ACR	400SC	0005F/H
输入电抗器 AC Input Reactor	400: 额定电压 Rated Voltage, 1~5000V S: Three Phase C: Copper L: Aluminum	0005: 额定电流 Rated Current, 0.1~5000A